

# BUTTON ANTENNA

**KWAN KA YI // 53022210**  
SUPERVISED BY DR. WONG, STEVE H.

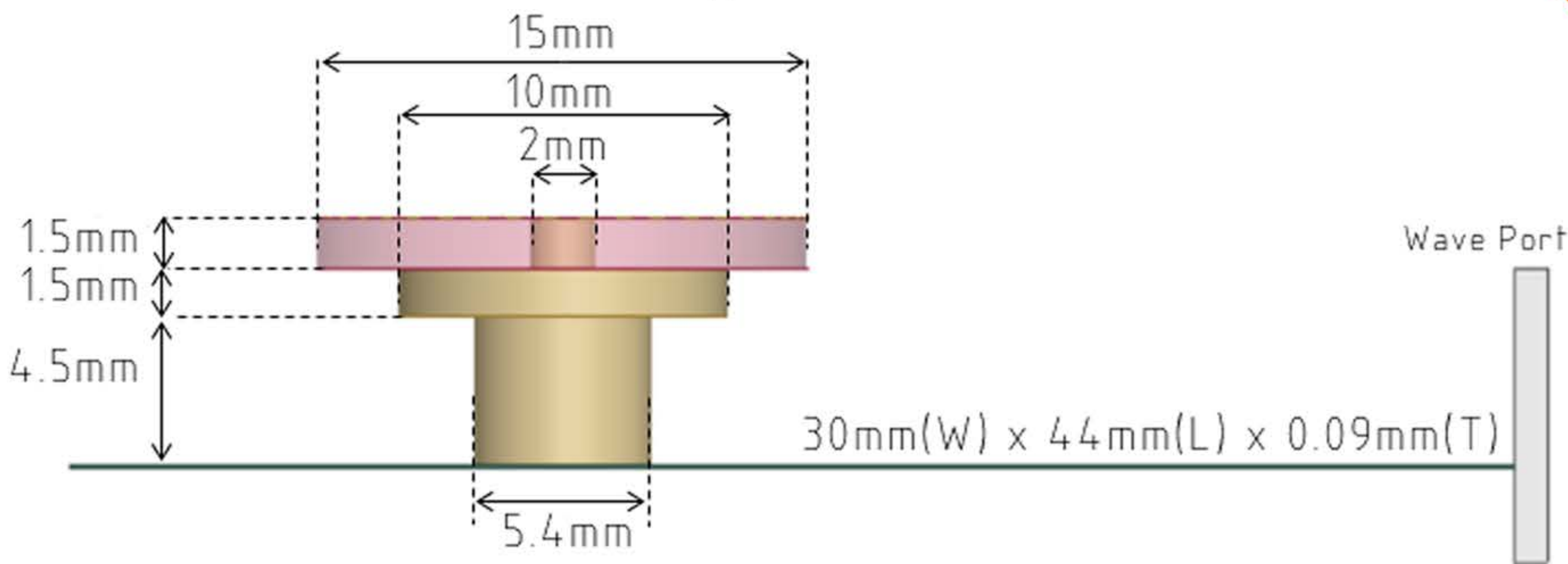


## Motivation

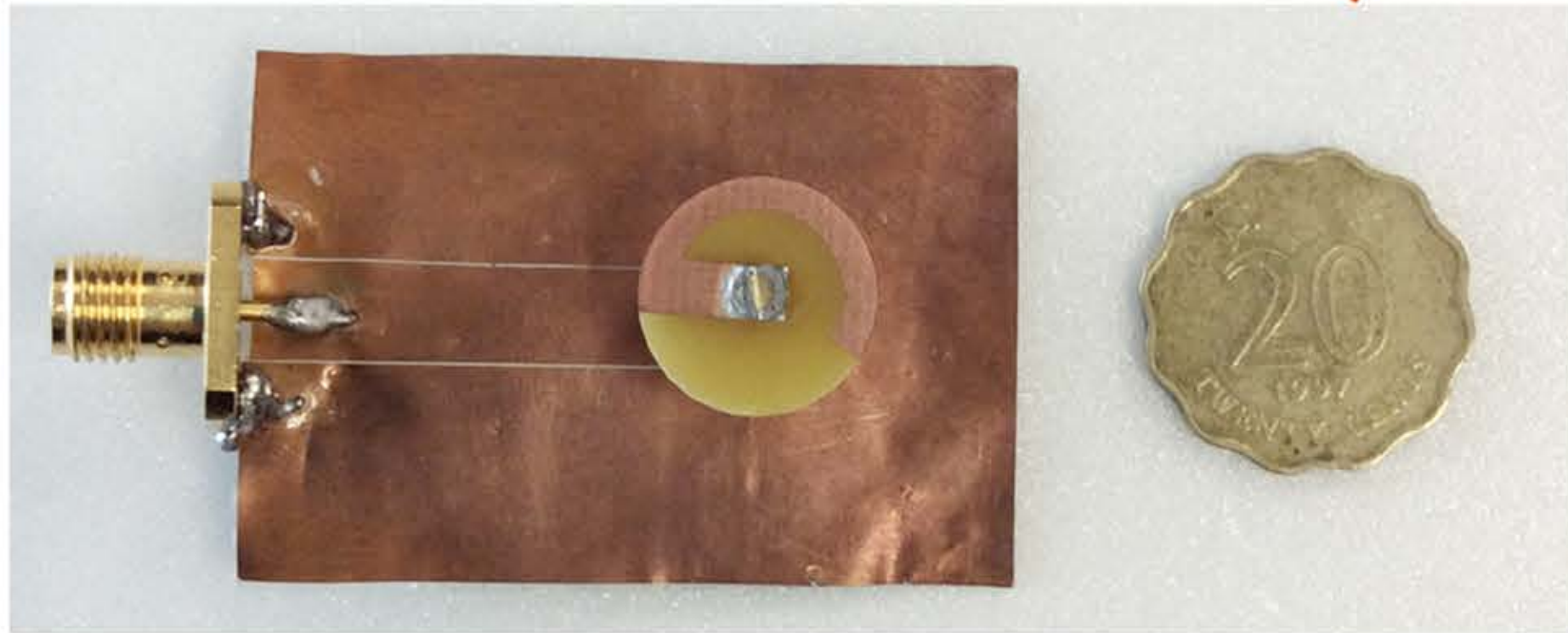
#1 Wearables are trending  
35% CAGR over the next five years

#2 Button is common, why not on wearables?

### [Size & Dimension]



**Material**  
Copper, FR-4 ( $\epsilon_r=4$ ),  
Durioid6002 ( $\epsilon_r=2.94$ )



## Features

**BUTTON SHAPE**

**SMALL IN SIZE**

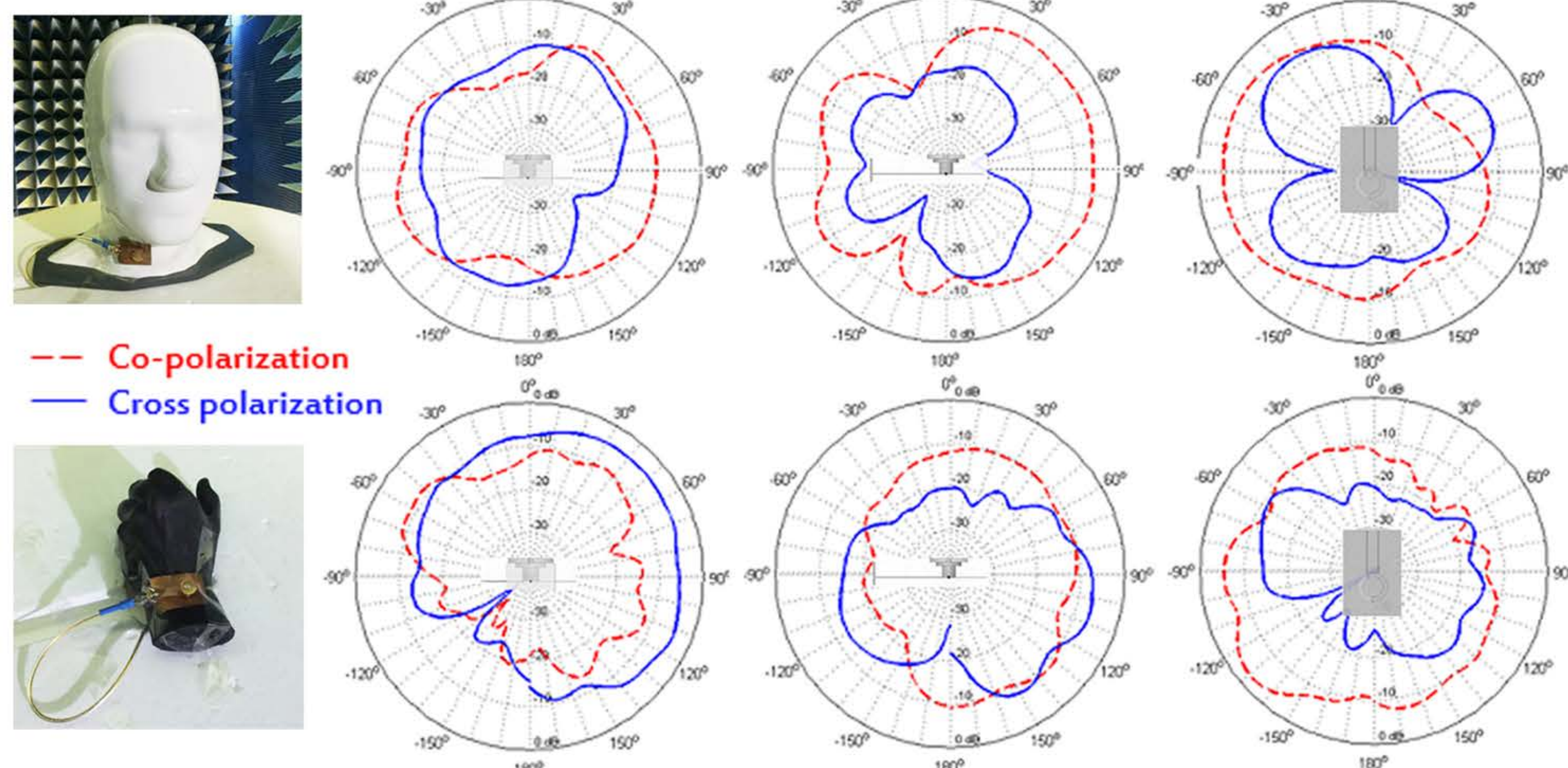
**FLEXIBLE PCB**

**2.45GHZ (BLUETOOTH & WIFI)**

**MONOPOLE ANTENNA**

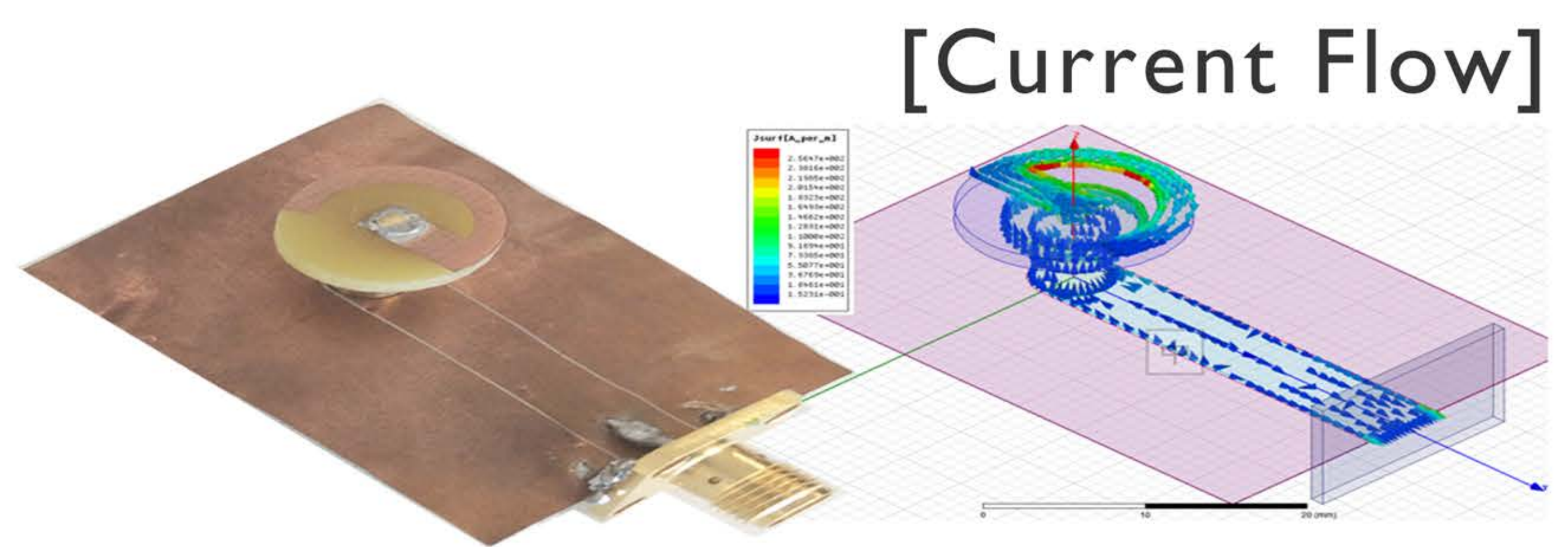
**ON-BODY DEVICE**

### [Radiation Pattern]

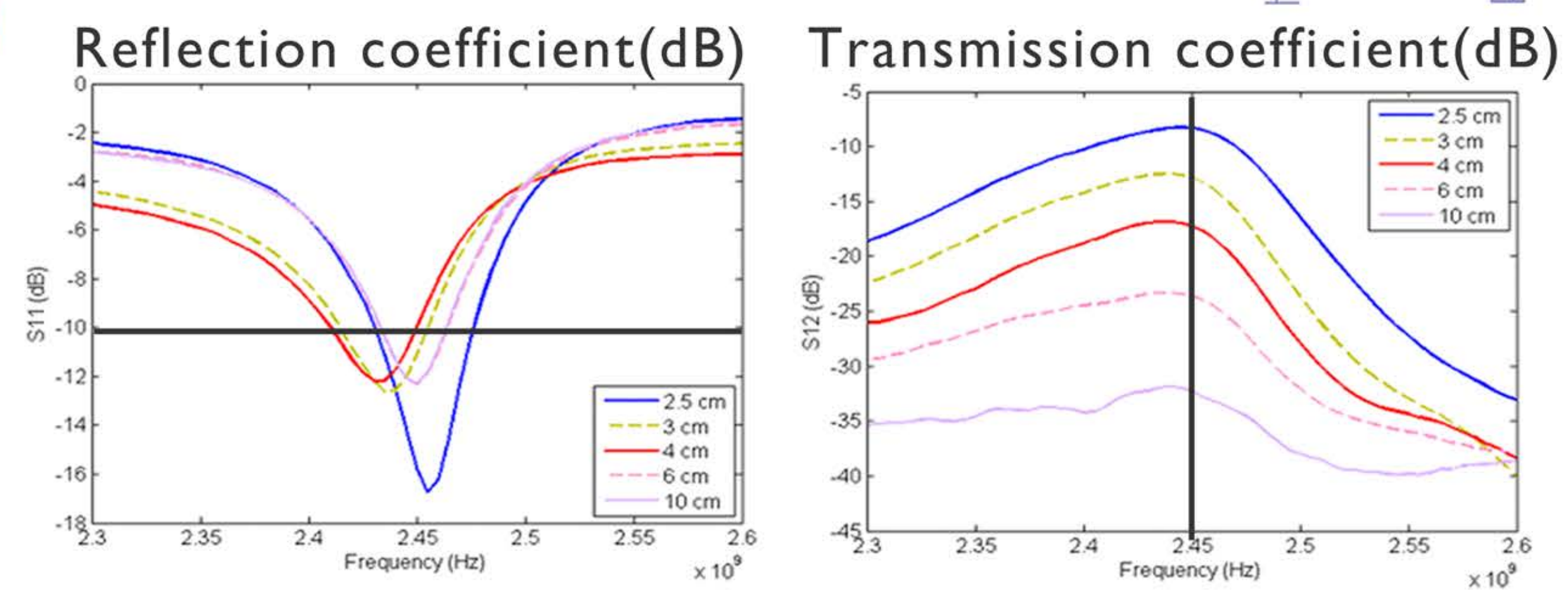


### [Results]

## Application



### [Coupling Effect in two devices]



### [SAR Test in IW]

i.e RF absorbed by the body  
10g SAR value: 1.799W/kg

Global standard :2W/kg

**Safe for human use**

